

IN.09

3x PRECISE CURRENT /VOLTAGE INPUT, ISOLATED



CURRENT /VOLTAGE INPUT

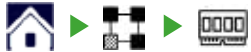
PM 0...20 mA / 4...20 mA / ±20 mA
0...2 V / 0...40 V / ±2 V / ±40 V

Rate
< 1 000 measurements /s

Accuracy
0,02 % of range



CARD SETTINGS



The following parameters are edited in the setting


Select the **Position of the card** to be set. Use buttons to scroll among the fitted cards.

Type of the card fitted in the specified position.

Data transfer **priority** of the selected card. Bigger number of plugged-in cards slows down data flow on the bus. It can be optimized by setting priorities. The real value of the data flow can be then controlled in diagnostics. The maximum achievable data flow in slots A is 1100 frames/s, in slots B 550 frames /s.

Channel to be set. Use buttons ◀ ◀◀ ▶▶ ▶ to scroll among the channels. Number of possible selectable channels is determined by the card, which is being set



Button  is used to navigate to the settings of the selected channel.

Range	PM 0...20 mA ▶ 4...20 mA ▶ ±20 mA 0...2 V ▶ 0...40 V ▶ ±2 V ▶ ±40 V
Filter selection	Floating floating arithmetic average of the number of measured values Exponential integration filter of the first order with a time constant measurement
Filter constant	Indicates the size of the filter
Rate	5...1 000 measurements /s
Min. physic. values	value that corresponds to the minimum selected range of the input values
Max. physic. values	value that corresponds to the maximum selected range of input values
Interference suppress.	20 Hz / off
Offset	offset of the beginning of the measuring range

INSTALLATION OF A NEW CARD

When installing a new card, always make sure the recorder is disconnected from the power supply!

1. Remove the recorder's back cover and break off the plugs covering the position where you intend to insert the new card. It is recommended to place analogue cards into faster slots in column „A“ (Speed of the bus: Slot „A“ 1 ms, Slot „B“ 2 ms).
2. Remove the card from its shipping container and from the ESD packaging and slide it carefully into the selected slot until you feel a gentle click
3. Replace the back cover and turn the device on
4. Setting of the card is described in the preceding paragraph

IN.09

TECHNICAL DATA

INPUTS

Number	3, isolated			
PM	Range	0...20 mA / 4...20 mA	15 Ω	1
		±20 mA /	15 Ω	
		0...2 V / 0...40 V	> 1 MΩ	2
		±2 V / ±40 V	> 1 MΩ	

TECHNICAL SPECIFICATION

TC	50 ppm / °C
Accuracy	±0,02 % of range (valid for 10 measur./s)
Rate	5...1 000 measurements / s
Overload capacity	10x (t < 100 ms), 2x
Digital filters	Floating average, Exponential average
Watch-dog	reset after 500 ms
Calibration	at 25°C and 40 % r.h.

POWER SUPPLY

Power supply	5 VDC, 24 VDC
Consumption	max. 150 mA

MECHANIC PROPERTIES

Dimensions	65 x 98 mm
Installation	to OMR 700

OPERATING CONDITIONS

Connection	connector terminal board, cross section < 1,5 mm ²
Working temperature	-20°...60°C
Storage temperature	-20°...85°C
IP rating	IP00
Construction	safety class I
El. safety	EN 61010-1, A2
Dielectric strength	2,5 kVAC over 1 min between bus and inputs 1 kVAC over 1 min between inputs
Insulation resistance*	for pollution degree II, measuring cat. III. Input / Bus - 300 V (PI), 150 (DI) Input / Input - 150 V (PI), 100 (DI)
EMC	EN 61326-1 (Industrial use)
Seismic resistance	IEC 980: 1993, čl.6

* PI - Primary insulation, DI - Double insulation

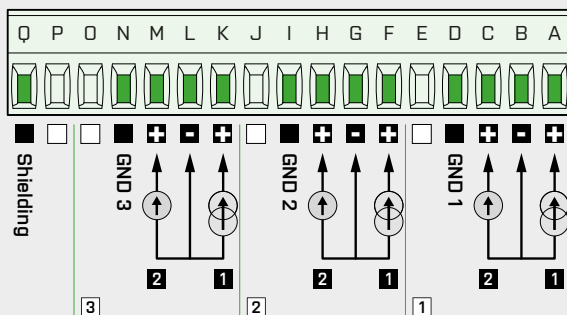
IN.09

CONNECTION

IN.09

ORDER CODE

IN.09



- 1 DC - I: 0...20 mA/4...20 mA ±20 mA
- 2 DC - U: 0...2 V/0...40 V/±2 V/±40 V

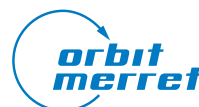
IN.09

Specifications

Used only for customised versions



00



ORBIT MERRET, spol. s r. o.
Vodňanská 675/30
198 00 Praha 9
Czech republic

tel.: +420 281 040 200
fax.: +420 281 040 299
orbit@merret.eu
www.orbit.merret.eu

